



SUSPENDED LUMINAIRE INSTALLATION INSTRUCTIONS

GENERAL INSTALLATION

WARNING

To Reduce Risk Of Death, Injury Or Property Damage From Fire, Electric Shock And Other Hazards:

Service of equipment must be performed by qualified personnel.

Installation and maintenance must be performed by qualified personnel familiar with the construction and operation of this product and any hazards involved. All applicable local and national codes and ordinances must be followed.

Read this document before installing, servicing or maintaining this equipment. These instructions do not cover all installation, service and maintenance situations. If your situation is not covered, or, if you do not understand these instructions or need additional information, contact American Linear Lighting or your local American Linear Lighting distributor.

WARNING

Before Installing, Servicing Or Maintaining This Equipment, Follow These General Precautions To Reduce The Risk Of Electrocutation:

Make sure the equipment is properly grounded.

Always de-energize the circuit and/or equipment before connecting to, disconnecting from or servicing the equipment.

To Prevent Luminaire Row From Over-Current:

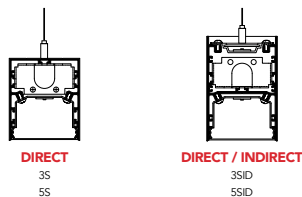
By adding the input current of each luminaire section marked on the luminaire, the total current per power feed must not exceed the maximum line wire amperage rating in the luminaire and the power feed cord/wire amperage rating whichever is least.

CAUTION

It Is The Installers Responsibility To Ensure That Wall, Ceiling Or Junction Box Is Structurally Capable Of Supporting The Weight Of Luminaire/Luminaire Row.

SECTION 1: FIXTURE MOUNTING

Pages 2 - 7



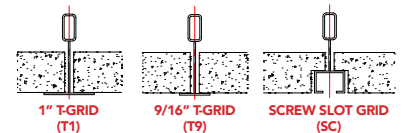
SECTION TWO: OFF-GRID

Pages 8 - 10



SECTION THREE: ON-GRID

Pages 11 - 13



SAVE THESE INSTALLATION INSTRUCTIONS

SUSPENDED LUMINAIRE INSTALLATION INSTRUCTIONS

INDIVIDUAL AND ROW MOUNTING: DIRECT

INDIVIDUAL LUMINAIRE INSTALLATION

Cable Mounting "On Grid" (T1, T9 & SC):

Linear suspended luminaires intended for "On Grid" or "Tee Bar Ceiling" cable mounting are to be installed with (T1-1" T-Grid), (T9 9/16" T-Grid) or (SC Screw Slot Grid) Cable/Canopy Kits. Cable Kit assembly's are shipped separately and are provided with installation instructions. (SEE INSTALLATION INSTRUCTION SHEET 17500009-8/9/10) At the End of This Document.

Cable Mounting "Off Grid" (HC):

Linear Suspended Luminaires intended for "Off Grid" OR "Hard Ceiling (HC)" cable mounting are to be installed with (HC) Cable/Canopy Kits. Cable kit assembly's are shipped separately and are provided with installation instructions. (SEE INSTALLATION INSTRUCTION SHEET 17500009-11/12/13) At the End of This Document.

CONTINUOUS ROW LUMINAIRE INSTALLATION

CAUTION:

Attempt to assemble fixture rows on ground and lifting row into position may create stress at connection points and may result in damage and/or mechanical failure. It is best to perform the following tasks on a protective, elevated, stable surface to ease assembly and protect the fixtures. (Please also note this is to be done before attempting to suspend the fixture run).

Step One:

On Direct only fixtures remove lens and LED/Reflector tray from fixtures and store in order of run placement storing safely aside (FIG. 1). It is best to perform the following tasks on a protective, elevated, stable surface to ease assembly and protect the fixtures. (Please also note this is to be done before attempting to suspend the fixture run)

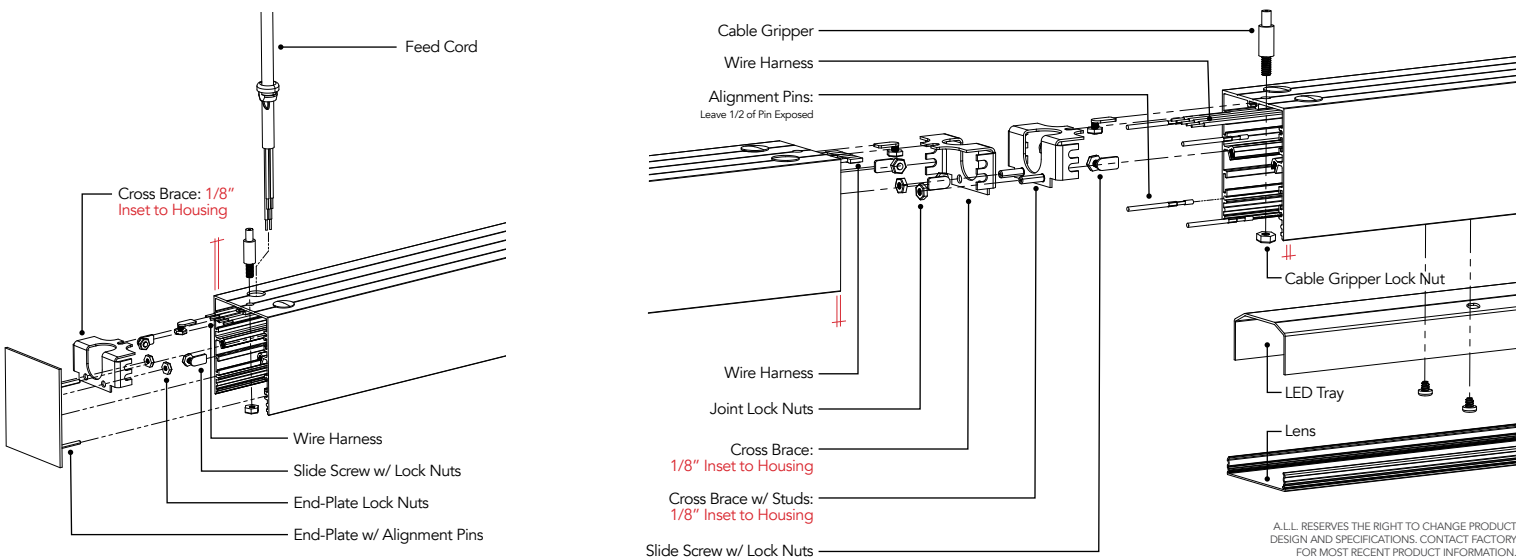
Step Two:

Locate and install Joiner/Endplate Kits. (FIG. 1) See packing list for quantities per run.

Install Joiner Brackets/cross braces and End Plates following the written instructions and as illustrated below. Starting with the Right-Hand End of Row, assemble (6) nuts to (6) slide screws and insert into rails. (3) each end. Please note that the End Plate cross brace has only holes for the end plate studs and nuts while the joiner kit has (1) with studs and (1) without. Locate and install the cross brace with studs from the joiner kit at the Left-Hand end, opposite the end plate of the "RH End of Row Fixture". Insert cross braces and locate 1/8" in from outside edge fixture. Starting with center nut and stud, slide screws and nuts into position in the slots on the cross brace and tighten securely. Repeat for fasteners on either side (please note these are what hold the fixtures together once installed). Install one Cable Gripper at the end plate end and one at the fixture joint end and tighten securely. These are packed with the Joint/End-Plate kits. At fixture joint and using care as not to bend alignment pins, tap into appropriate track with 1/2" to 3/4" extending out from fixture end. Install End plate with (2) nuts from end plate kit. From this point the cable gripper will only be installed at the left-hand end on the remaining fixtures.

Repeat this process for the balance of the fixtures in the run as needed. Complete each fixture in the run to assure the run can be assembled from right to left as intended.

FIGURE 1



A.L.L. RESERVES THE RIGHT TO CHANGE PRODUCT DESIGN AND SPECIFICATIONS. CONTACT FACTORY FOR MOST RECENT PRODUCT INFORMATION. 17500009-2 4/18

SUSPENDED LUMINAIRE INSTALLATION INSTRUCTIONS

INDIVIDUAL AND ROW MOUNTING: DIRECT

Step Three:

After locating the suspension cable locations as shown at the end of this document "Row Information" and following the cable mounting instructions provided, suspend the first fixture "RH End of Row Fixture" in the row.

Remove 5/8" hole plug and install feed cord in the "LH End of Row Fixture" at the LH End. Using strain relief to lock into fixture body as in shown (FIG. 1). Leave 6" of feed cord inside of fixture for splicing to fixture. Connect feed cord to wire harness with wirenuts provided within the feed cord kits.

Position second fixture in row (JOINER/INTERMEDIATE-ENDER) such that it aligns with joint end of first fixture and hang with joiner/intermediate cable assembly as illustrated. Plug wire harness(s) together and push excess wire into luminaire wiring chamber. (FIG. 2)

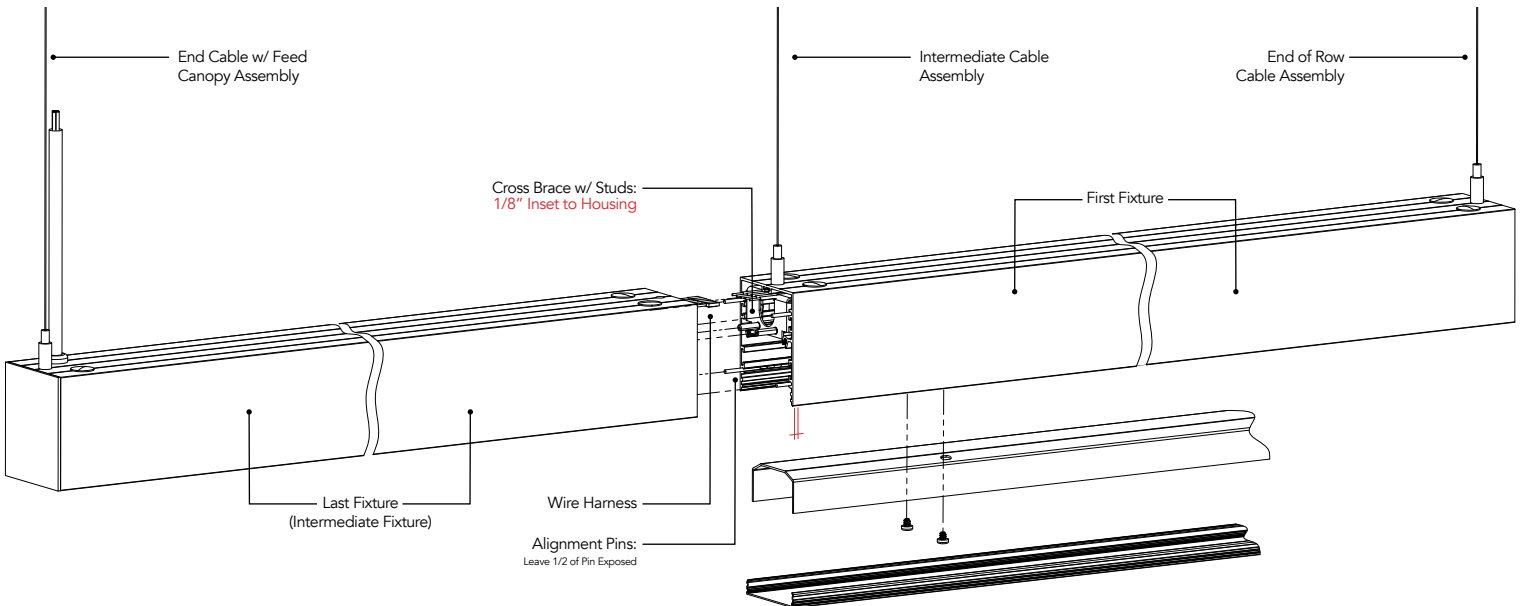
Step Four:

Push luminaires tightly together while making sure the alignment pins slide into the interior tracks of each luminaire and span the luminaire joint. Secure joint with hardware provided. Secure to adjoining luminaire with hardware provided.

Step Five:

Continue to install and assemble row following steps 2 and 3. Reinstall lens and LED/Reflector trays and check for proper function.

FIGURE 2



SUSPENDED LUMINAIRE INSTALLATION INSTRUCTIONS

INDIVIDUAL AND ROW MOUNTING: INDIRECT/DIRECT

INDIVIDUAL LUMINAIRE INSTALLATION

Cable Mounting "On Grid" (T1, T9 & SC):

Linear suspended luminaires intended for "On Grid" or "Tee Bar Ceiling" cable mounting are to be installed with (T1-1" T-Grid), (T9 9/16" T-Grid) or (SC Screw Slot Grid) Cable/Canopy Kits. Cable Kit assembly's are shipped separately and are provided with installation instructions. (SEE INSTALLATION INSTRUCTION SHEET 17500009-8/9/10) At the End of This Document.

Cable Mounting "Off Grid" (HC):

Linear Suspended Luminaires intended for "Off Grid" OR "Hard Ceiling (HC)" cable mounting are to be installed with (HC) Cable/Canopy Kits. Cable kit assembly's are shipped separately and are provided with installation instructions. (SEE INSTALLATION INSTRUCTION SHEET 17500009-8/9/10) At the End of This Document.

CONTINUOUS ROW LUMINAIRE INSTALLATION

CAUTION:

Attempt to assemble fixture rows on ground and lifting row into position may create stress at connection points and may result in damage and/or mechanical failure. It is best to perform the following tasks on a protective, elevated, stable surface to ease assembly and protect the fixtures. (Please also note this is to be done before attempting to suspend the fixture run).

Step One:

On Indirect/Direct fixtures remove upper LED/Reflector tray and store safely aside in the order of fixture run placement (FIG. 3). It is best to perform the following tasks on a protective, elevated, stable surface to ease assembly and protect the fixtures. (Please also note this is to be done before attempting to suspend the fixture run).

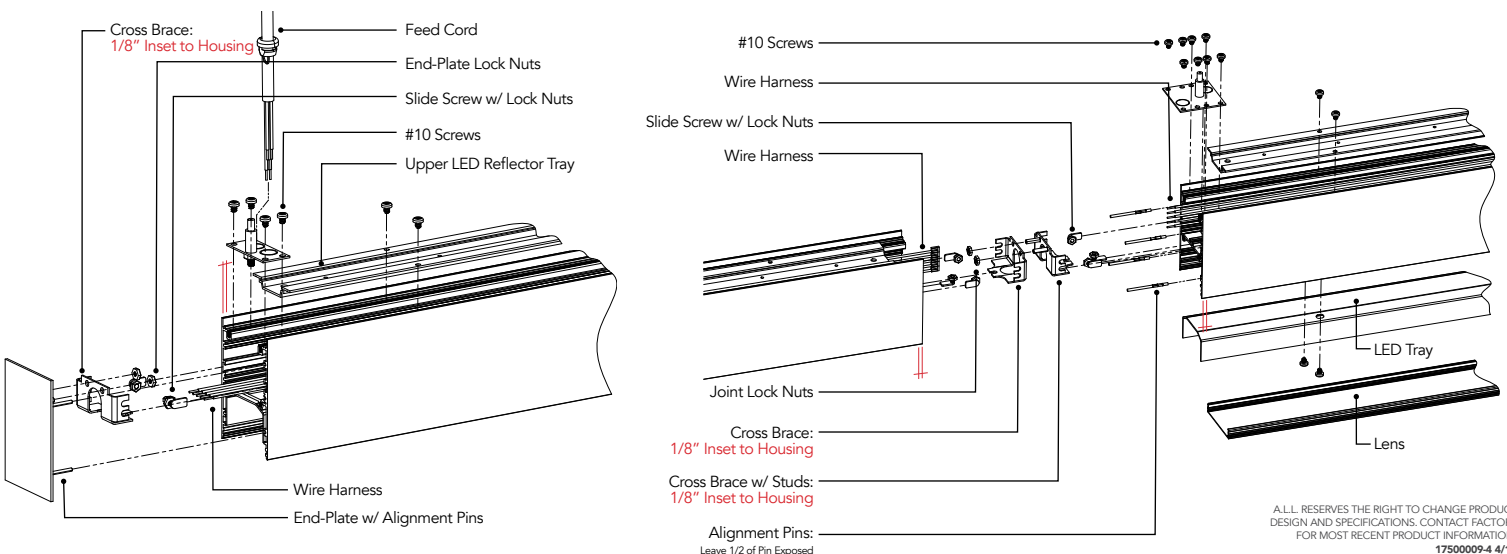
Step Two:

Locate and install Joiner/Endplate Kits. (FIG. 3) See packing list for quantities per run.

Install Joiner Brackets/cross braces and End Plates following the written instructions and as illustrated below. Starting with the Right-Hand End of Row, assemble (6) nuts to (6) slide screws and insert into rails. (3) each end. Please note that the End Plate cross brace has only holes for the end plate studs and nuts while the joiner kit has (1) with studs and (1) without. Locate and install the cross brace with studs from the joiner kit at the Left-Hand end, opposite the end plate of the "RH End of Row Fixture". Insert cross braces and locate 1/8" in from outside edge fixture. Starting with center nut and stud, slide screws and nuts into position in the slots on the cross brace and tighten securely (please note these are what hold the fixtures together once installed). Install one "Hanger Bracket w/Cable Gripper" from end plate kit at the end plate end and (Joiner/Hanger Bracket w/Cable Gripper at the fixture joint end with the #10 screws supplied. (4) screws per bracket as shown. The (4) remaining screws from the joiner kit will and must be used once the fixtures are suspended. (please save for later) At fixture joint and using care as not to bend alignment pins, tap into appropriate track with 1/2" to 3/4" extending out from fixture end. Install End plate with (2) nuts from end plate kit. From this point the cable gripper will only be installed at the left-hand end on the remaining fixtures.

Repeat this process for the balance of the fixtures in the run as needed. Complete each fixture in the run to assure the run can be assembled from right to left as intended. Using the other hanger bracket from the end plate kit, install feed cord in the bracket and attach to the "LH End of Row Fixture" at the LH End. Using strain relief to lock into bracket as in shown (FIG. 3). Leave 6" of feed cord inside of fixture for splicing to fixture. Install end plate as described before.

FIGURE 3



SUSPENDED LUMINAIRE INSTALLATION INSTRUCTIONS

INDIVIDUAL AND ROW MOUNTING: INDIRECT/DIRECT

Step Three:

After locating the suspension cable locations as shown at the end of this document "Row Information" and following the cable mounting instructions provided, suspend the first fixture "RH End of Row Fixture" in the row.

Step Four:

Position second fixture in row (JOINER/INTERMEDIATE-ENDER) such that it aligns with joint end of first fixture and hang with joiner/intermediate cable assembly as illustrated. Plug wire harness(es) together and push excess wire into luminaire wiring chamber. (FIG. 4)

Step Five:

Push luminaires tightly together while making sure the alignment pins slide into the interior tracks of each luminaire and span the luminaire joint. Secure joint with hardware provided.

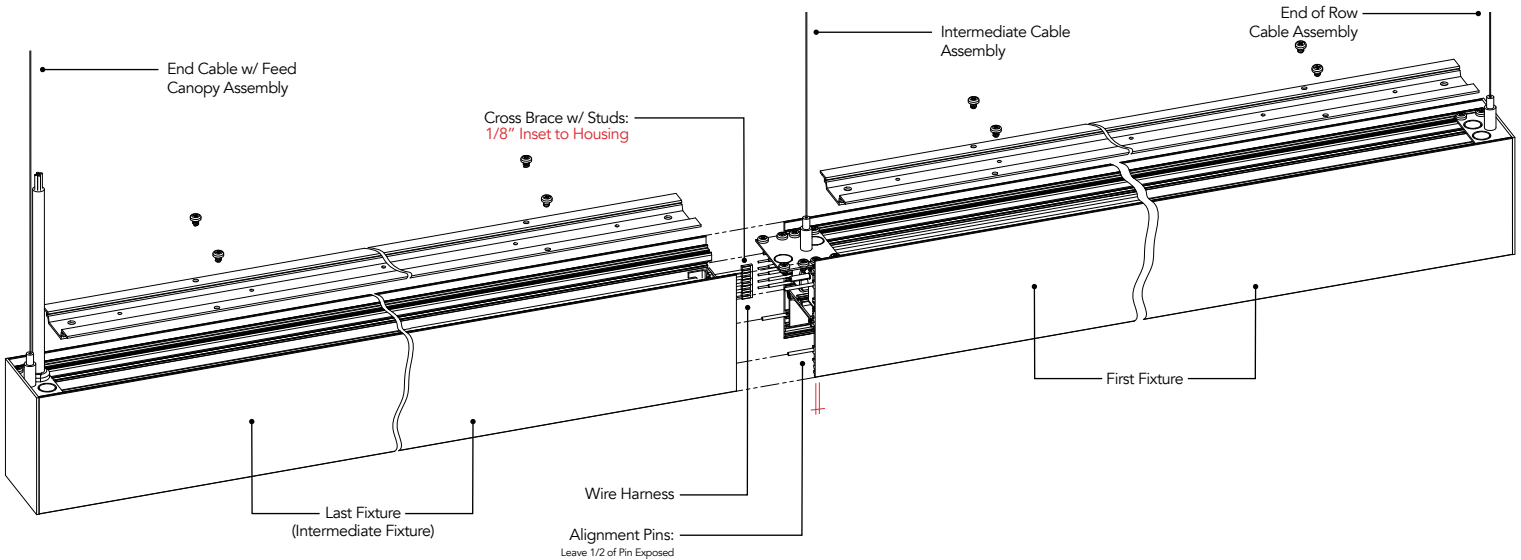
Step Six:

Continue to install and assemble row following steps 2 and 3.

Step Seven:

Reinstall Upper LED/Reflector Tray

FIGURE 4

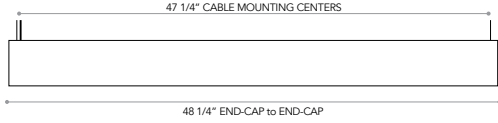


SUSPENDED LUMINAIRE INSTALLATION INSTRUCTIONS

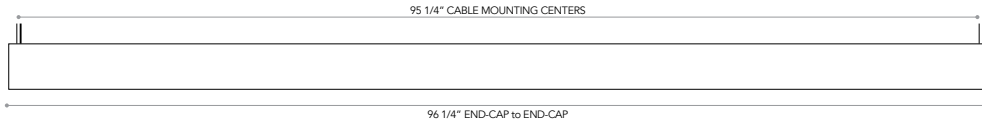
INDIVIDUAL AND ROW MOUNTING: DIRECT & INDIRECT/DIRECT

FIXTURE ROW LAYOUT: SINGLE UNIT 4' - 8' - 12'

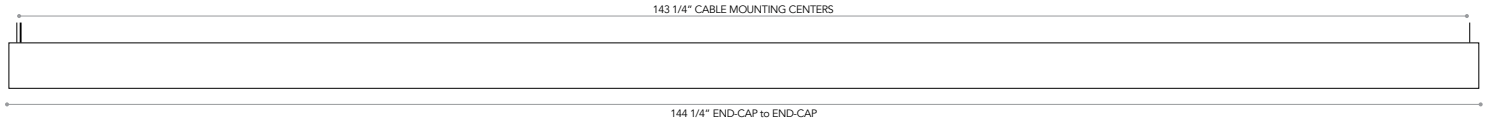
4' FIXTURE



8' FIXTURE

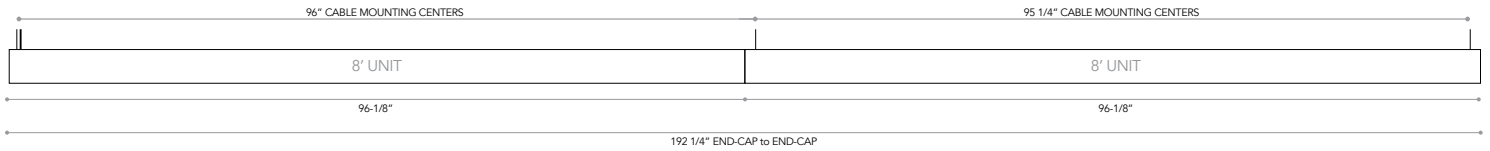


12' FIXTURE



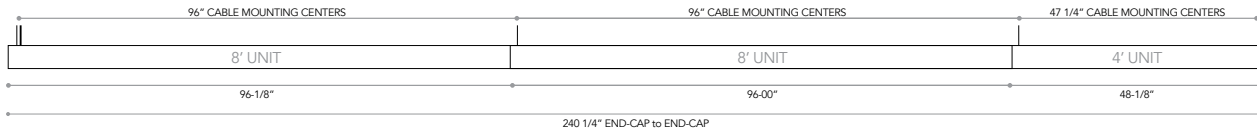
FIXTURE ROW LAYOUT: TWO UNITS 16'

16' FIXTURE

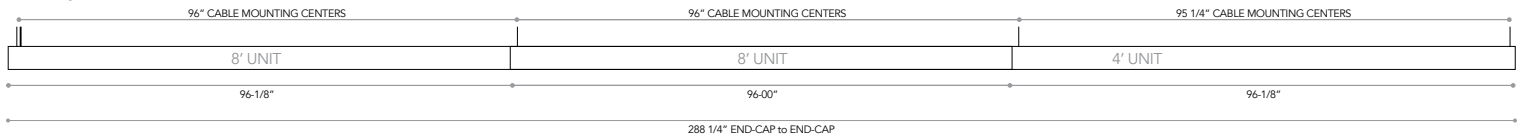


FIXTURE ROW LAYOUT: THREE UNITS 20' - 24'

20' FIXTURE



24' FIXTURE



SUSPENDED LUMINAIRE INSTALLATION INSTRUCTIONS

ROW MOUNTING

FIXTURE ROW COMPONENTS

ROW LENGTH	4' - UNIT	8' - UNIT	12' - UNIT	JOIN KITS	END-CAP TO END-CAP
4'	1	-	-	-	48-1/4"
8'	-	1	-	-	96-1/4"
12'	-	-	1	-	144-1/4"
16'	-	2	-	1	192-1/4"
20'	1	2	-	2	240-1/4"
24'	-	3	-	2	288-1/4"
28'	1	3	-	3	336-1/4"
32'	-	4	-	3	384-1/4"
36'	1	4	-	4	432-1/4"
40'	-	5	-	4	480-1/4"
44'	1	5	-	5	528-1/4"
48'	-	6	-	5	576-1/4"
52'	1	6	-	6	624-1/4"
56'	-	7	-	6	672-1/4"
60'	1	7	-	7	720-1/4"
64'	-	8	-	7	768-1/4"
68'	1	8	-	8	816-1/4"
72'	-	9	-	8	864-1/4"

Note 1

Suspended Mount Fixtures have Cable Mounting Holes 1/2" from End-Cap

SUSPENDED LUMINAIRE INSTALLATION INSTRUCTIONS

OFF-GRID MOUNTING

NON FEED CABLE/CANOPY ASSEMBLY

Step One:

Determine mounting cable spacing centers from factory shop drawing or order processing specification sheet.

Step Two:

Install 1/4-20 studs projecting from the finished ceiling line 1/2".

Step Three:

Insert cable supplied in kit through ceiling coupler in kit and attach to 1/4-20 stud securely. Remove threaded canopy support ring from coupler and slide canopy then support ring over cable and up to finished ceiling line. Tighten support ring to locate canopy in place.

Step Four:

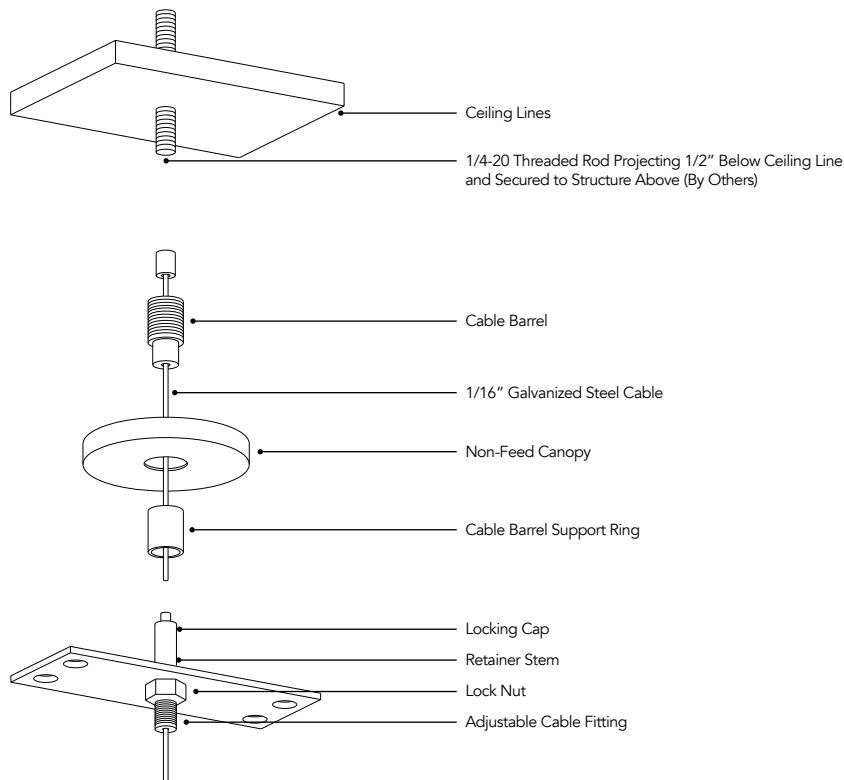
Raise luminaire to cable assembly and route cable through the center of the adjustable cable fitting loosening the locking cap enough to allow cable to enter fitting. Feed cable through the adjustable fitting until desired mounting height is attained. Luminaire will be retained at the last point of adjustment. Tighten locking cap onto retainer stem.

Note: If It Becomes Necessary To Re-Adjust Luminaire Height, Loosen Locking Cap And Depress Retainer Stem While Adjusting To Desired Position.

CAUTION:

Be Certain To Support Luminaire Independently Of Cables When Depressing Retainer Stem.

FIGURE 5



SUSPENDED LUMINAIRE INSTALLATION INSTRUCTIONS

OFF-GRID MOUNTING

FEED CABLE/CANOPY ASSEMBLY

Step One:

Determine mounting cable spacing centers from factory shop drawing or order processing specification sheet and locate a 4" octagonal junction box at location indicated for incoming wire feed point.

Step Two:

OPTION 1 Install cross strap support bracket to junction box with screws by others. Be sure junction box can support luminaire/luminaire row in accordance with local codes as illustrated.

OPTION 2 Drill a 5/16" dia hole in the roof of the junction box. Position and secure a 1/4-20 threaded rod (by others) to structural support above so that it passes through the hole drilled in the junction box and extends 1/2" below the finished ceiling line.

Step Three:

Insert cable supplied in kit through ceiling coupler in kit and attach to 1/4-20 stud securely. Remove threaded canopy support ring from coupler and slide canopy then support ring over cable and up to finished ceiling line. Loosely tighten support ring to locate canopy in place.

Step Four:

Raise luminaire to cable assembly and route cable through the center of the adjustable cable fitting loosening the locking cap enough to allow cable to enter fitting. Feed cable through the adjustable fitting until desired mounting height is attained. Luminaire will be retained at the last point of adjustment. Tighten locking cap onto retainer stem.

Note: If It Becomes Necessary To Re-Adjust Luminaire Height, Loosen Locking Cap And Depress Retainer Stem While Adjusting To Desired Position.

CAUTION:

Be Certain To Support Luminaire Independently Of Cables When Depressing Retainer Stem.

Step Five:

Remove canopy support ring and route feed cord from luminaire through grommeted hole in canopy and into junction box. Connect feed cord to incoming power feed wires within j-box with appropriate connectors and install cord restraint as illustrated.

Step Six:

Raise canopy finished ceiling line and locate with canopy support ring. Attach supplied tie straps around feed cord and cable at minimum of 36" on center.

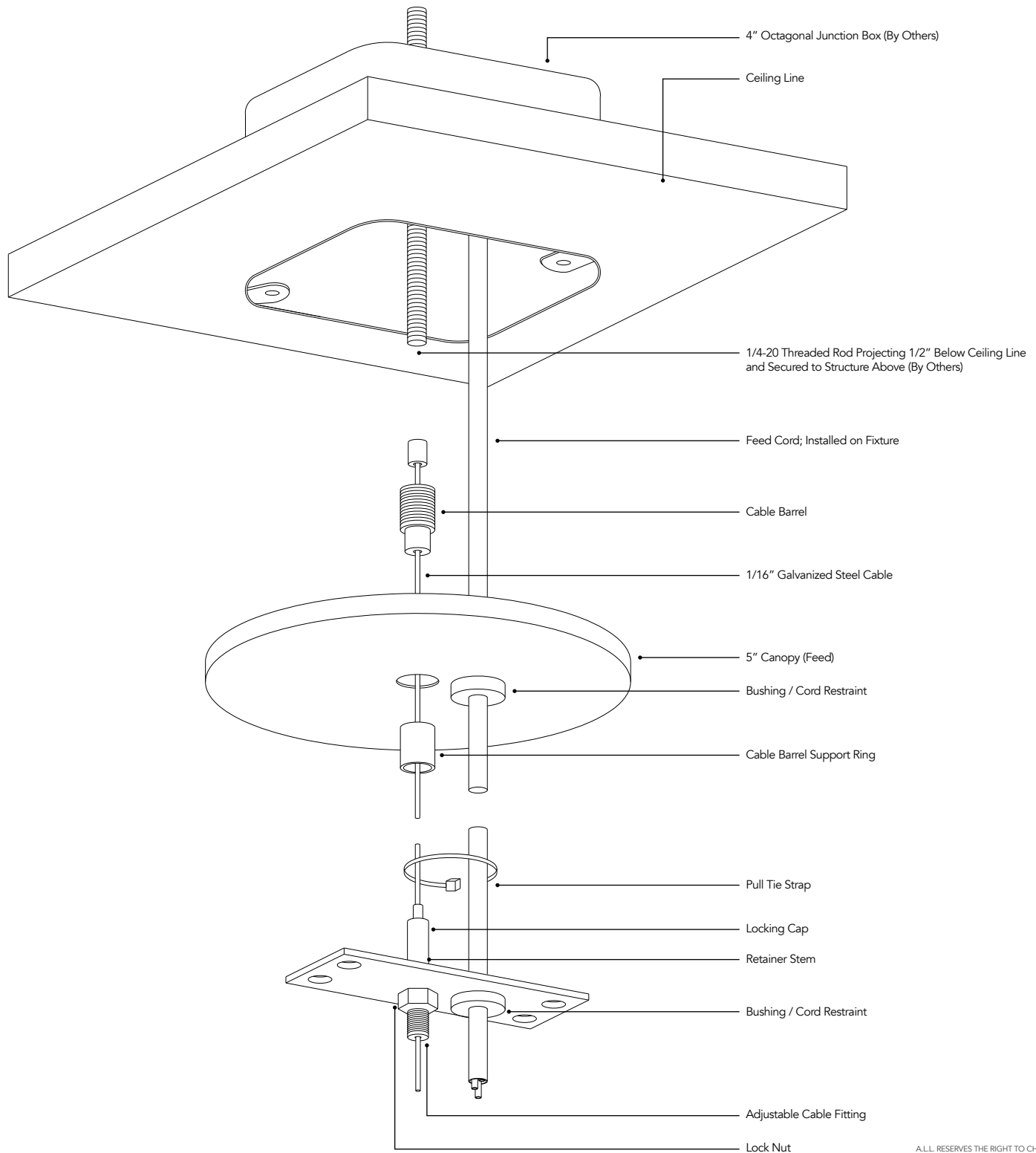
ENERGIZE AND CHECK FOR PROPER OPERATION.

FIGURE 6 ON NEXT PAGE

SUSPENDED LUMINAIRE INSTALLATION INSTRUCTIONS

OFF-GRID MOUNTING

FIGURE 6



A.L.L. RESERVES THE RIGHT TO CHANGE PRODUCT DESIGN AND SPECIFICATIONS. CONTACT FACTORY FOR MOST RECENT PRODUCT INFORMATION.
17500009-10 4/18

SUSPENDED LUMINAIRE INSTALLATION INSTRUCTIONS

ON-GRID MOUNTING

NON FEED CABLE/CANOPY ASSEMBLY

Step One:

Determine mounting cable spacing centers from factory shop drawing or order processing specification sheet.

Step Two:

Installation of IDS clip onto T-BAR at appropriate locations (REF. STEP 1 AND FIG. 7)

- A. Assemble 1/4-20 stud and clip. Start stud into recessed square hole, grasp clip in hand and depress tab a with thumb. Pull stud into place and release TAB A.
- B. Separate clip into it's two parts by bending at TAB B.
- C. Place PART X on T-BAR and insert base tab on part into slot. Close PARTS X and Y together locking with TAB C.

Step Three:

Secure IDS clip to structural support above with minimum #12 gauge support wire in accordance with local codes. (REF FIG. 8)

Step Four:

Insert cable supplied in kit through ceiling coupler in kit and attach to 1/4-20 stud on IDS clip securely. Remove threaded canopy support ring from coupler and slide canopy then support ring over cable and up to finished ceiling line. Tighten support ring to locate canopy in place.

Step Five:

Raise luminaire to cable assembly and route cable through the center of the adjustable cable fitting loosening the locking cap enough to allow cable to enter fitting. Feed cable through the adjustable fitting until desired mounting height is attained. Luminaire will be retained at the last point of adjustment. Tighten locking cap onto retainer stem.

Note: If It Becomes Necessary To Re-Adjust Luminaire Height, Loosen Locking Cap And Depress Retainer Stem While Adjusting To Desired Position.

CAUTION:

Be Certain To Support Luminaire Independently Of Cables When Depressing Retainer Stem.

FIGURE 7

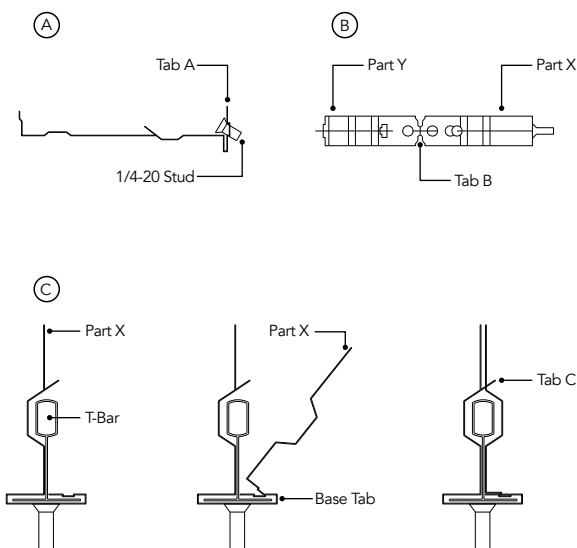
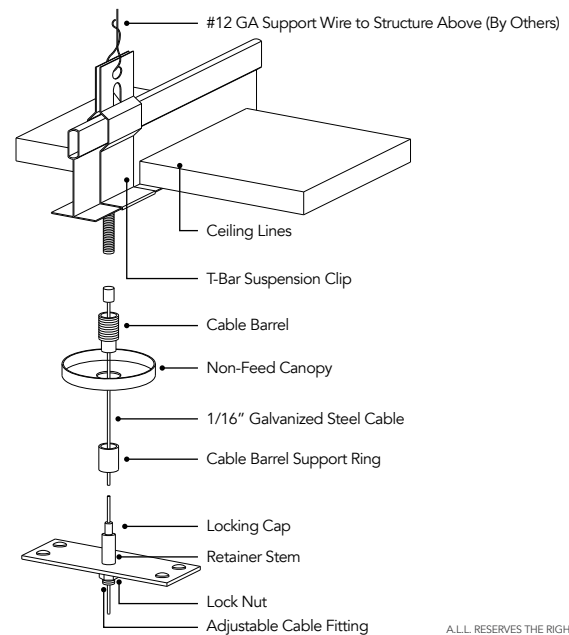


FIGURE 8



A.L.L. RESERVES THE RIGHT TO CHANGE PRODUCT DESIGN AND SPECIFICATIONS. CONTACT FACTORY FOR MOST RECENT PRODUCT INFORMATION.
17500009-11 4/18

SUSPENDED LUMINAIRE INSTALLATION INSTRUCTIONS

ON-GRID MOUNTING

FEED CABLE/CANOPY ASSEMBLY

Step One:

Determine mounting cable spacing centers from factory shop drawing or order processing specification sheet.

Step Two:

Installation of IDS clip onto T-BAR at appropriate locations on T-BAR. Follow instruction sequence #2 and 3 from previous page.

Step Three:

Install Greenfield connector or equal (by others) onto junction box. Attach Junction Box and Junction Box support bracket to IDS clip with 1/4-20 nut and bolt provided as illustrated.

Step Four:

Support Junction Box support bracket (By Others) to structural support above with minimum #12 gauge support wire in accordance with local codes as illustrated.

Step Five:

Cut a 3/4" dia. hole in ceiling tile aligned with Greenfield connector protruding from Junction Box. Insert cable supplied in kit through ceiling coupler in kit and attach to 1/4-20 stud on IDS clip securely. Remove threaded canopy support ring from coupler and slide canopy then support ring over cable and up to finished ceiling line. Tighten support ring to locate canopy in place.

Step Six:

Raise luminaire to cable assembly and route cable through the center of the adjustable cable fitting loosening the locking cap enough to allow cable to enter fitting. Feed cable through the adjustable fitting until desired mounting height is attained. Luminaire will be retained at the last point of adjustment. Tighten locking cap onto retainer stem.

Note: If It Becomes Necessary To Re-Adjust Luminaire Height, Loosen Locking Cap And Depress Retainer Stem While Adjusting To Desired Position.

CAUTION:

Be Certain To Support Luminaire Independently Of Cables When Depressing Retainer Stem.

Step Seven:

Route feed cord from luminaire through grommeted hole in canopy and into Junction Box. Connect feed cord to incoming power feed wires within Junction Box with appropriate connectors and install cord restraint as illustrated. Attach supplied tie straps around feed cord and cable at a minimum of 36" on center.

-ENERGIZE AND CHECK FOR PROPER OPERATION.

FIGURE 9 ON NEXT PAGE

SUSPENDED LUMINAIRE INSTALLATION INSTRUCTIONS

ON-GRID MOUNTING

FIGURE 9

