



RECESSED LUMINAIRE INSTALLATION INSTRUCTIONS

GENERAL INSTALLATION

WARNING

To Reduce Risk Of Death, Injury Or Property Damage From Fire, Electric Shock And Other Hazards:

Service of equipment must be performed by qualified personnel.

Installation and maintenance must be performed by qualified personnel familiar with the construction and operation of this product and any hazards involved. All applicable local and national codes and ordinances must be followed.

Read this document before installing, servicing or maintaining this equipment. These instructions do not cover all installation, service and maintenance situations. If your situation is not covered, or, if you do not understand these instructions or need additional information, contact American Linear Lighting or your local American Linear Lighting distributor.

WARNING

Before Installing, Servicing Or Maintaining This Equipment, Follow These General Precautions To Reduce The Risk Of Electrocutation:

Make sure the equipment is properly grounded.

Always de-energize the circuit and/or equipment before connecting to, disconnecting from or servicing the equipment.

To Prevent Luminaire Row From Over-Current:

By adding the input current of each luminaire section marked on the luminaire, the total current per power feed must not exceed the maximum line wire amperage rating in the luminaire and the power feed cord/wire amperage rating whichever is least.

CAUTION

It Is The Installers Responsibility To Ensure That Ceiling Structurally Capable Of Supporting The Weight Of Luminaire/Luminaire Row.

SECTION 1: FIXTURE MOUNTING

Pages 2 - 3



DIRECT
3R
5R

SECTION TWO: OFF-GRID

Pages 4 - 6



OVERLAPPING FLANGE
(OF)

SECTION THREE: ON-GRID

Pages 7 - 9



1" T-GRID
(T1)



9/16" T-GRID
(T9)



9/16" T-TEG GRID
(TG)



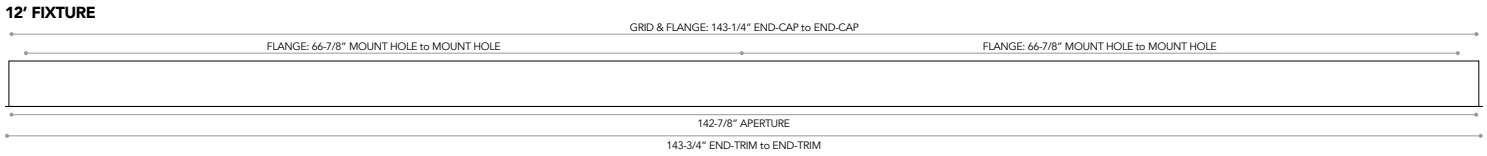
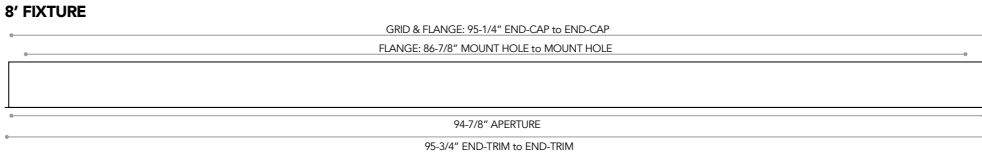
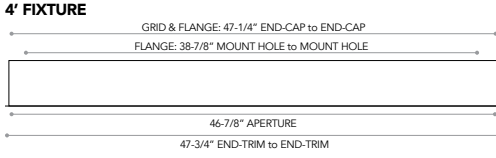
SCREW SLOT GRID
(SC)

SAVE THESE INSTALLATION INSTRUCTIONS

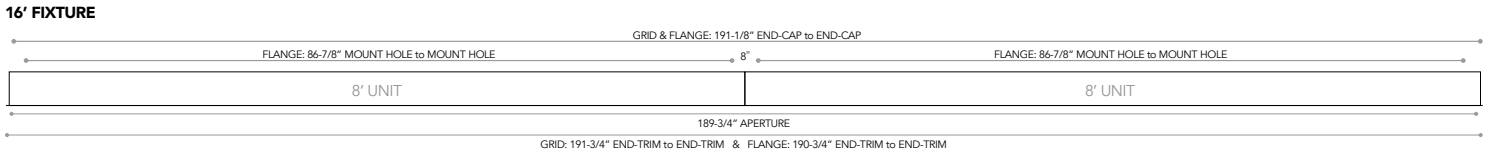
RECESSED LUMINAIRE INSTALLATION INSTRUCTIONS

INDIVIDUAL AND ROW MOUNTING

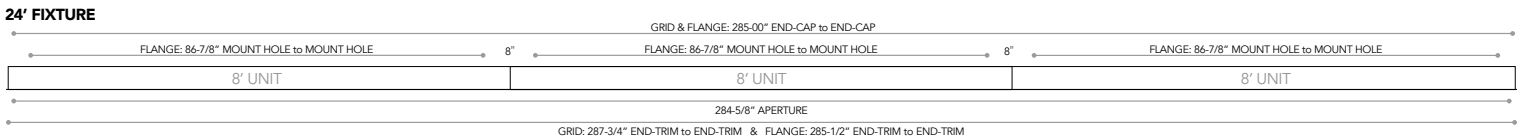
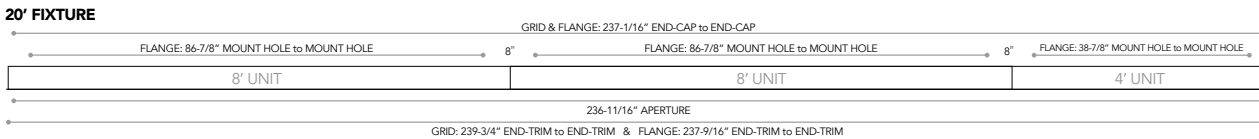
FIXTURE ROW LAYOUT: SINGLE UNIT 4' - 8' - 12'



FIXTURE ROW LAYOUT: TWO UNITS 16'



FIXTURE ROW LAYOUT: THREE UNITS 20' - 24'



RECESSED LUMINAIRE INSTALLATION INSTRUCTIONS

INDIVIDUAL AND ROW MOUNTING

FIXTURE ROW COMPONENTS

ROW LENGTH	4' - UNIT	8' - UNIT	12' - UNIT	JOIN KITS	APERTURE FLANGE & GRID	END-CAP TO END-CAP FLANGE & GRID	END-TRIM TO END-TRIM		END-TRIM LENGTH GRID
							FLANGE	GRID	
4'	1	-	-	-	46-7/8"	47-1/4"	47-3/4"	47-3/4"	1/2"
8'	-	1	-	-	94-7/8"	95-1/4"	95-3/4"	95-3/4"	1/2"
12'	-	-	1	-	142-7/8"	143-1/4"	143-3/4"	143-3/4"	1/2"
16'	-	2	-	1	189-3/4"	190-1/8"	190-5/8"	191-3/4"	1-00"
20'	1	2	-	2	236-11/16"	237-1/16"	237-9/16"	239-3/4"	1-1/2"
24'	-	3	-	2	284-5/8"	285-00"	285-1/2"	287-3/4"	1-1/2"
28'	1	3	-	3	331-5/8"	332-00"	332-1/2"	335-3/4"	2-1/8"
32'	-	4	-	3	379-5/8"	378-00"	378-1/2"	383-3/4"	2-1/8"
36'	1	4	-	4	426-1/2"	426-7/8"	427-3/8"	431-3/4"	2-5/8"
40'	-	5	-	4	474-1/2"	474-7/8"	475-3/8"	479-3/4"	2-5/8"
44'	1	5	-	5	521-7/16"	521-13/16"	522-5/16"	527-3/4"	3-3/16"
48'	-	6	-	5	569-7/16"	569-13/16"	570-5/16"	575-3/4"	3-3/16"
52'	1	6	-	6	616-3/8"	616-3/4"	617-1/4"	623-3/4"	3-3/4"
56'	-	7	-	6	664-3/8"	664-3/4"	665-1/4"	671-3/4"	3-3/4"
60'	1	7	-	7	711-1/4"	711-5/8"	712-1/8"	719-3/4"	4-1/4"
64'	-	8	-	7	759-1/4"	759-5/8"	760-1/8"	767-3/4"	4-1/4"
68'	1	8	-	8	806-1/8"	806-1/2"	807-00"	815-3/4"	4-3/4"
72'	-	9	-	8	854-1/8"	854-1/2"	855-00"	863-3/4"	4-3/4"

Note 1

Flange Mount Fixtures have Mounting Holes 4-3/16" from End-Cap

Note 2

Flange Mount Fixture Rows Consisting of Multiple Units (16'-72') have 8" O.C. Between Mounting Holes at Fixture Joints

RECESSED LUMINAIRE INSTALLATION INSTRUCTIONS

INDIVIDUAL MOUNTING

INDIVIDUAL LUMINAIRE INSTALLATION "OFF GRID" HARD CEILINGS

CAUTION:

Ceiling contractor must provide a uninterrupted continuous rough opening maintaining straightness and width. Length and width as required. Fixtures should be secured to structure above to support weight of fixture. Consult factory for fixture weights if needed.

Overlapping Flange (OF):

Linear luminaires intended for "Sheet Rock" are to be installed with threaded rod to structure above "by others". Product and should be install in accordance with these instructions.

Step One:

Remove lens and LED tray and safely store aside. Using one of the 7/8" dia. holes on the end fixture, install conduit connector. Install fixture into ceiling from below into ceiling opening following instructions within this document. Mounting holes are located on the back side "housing top" for supporting to structure above. Mounting hardware by others.

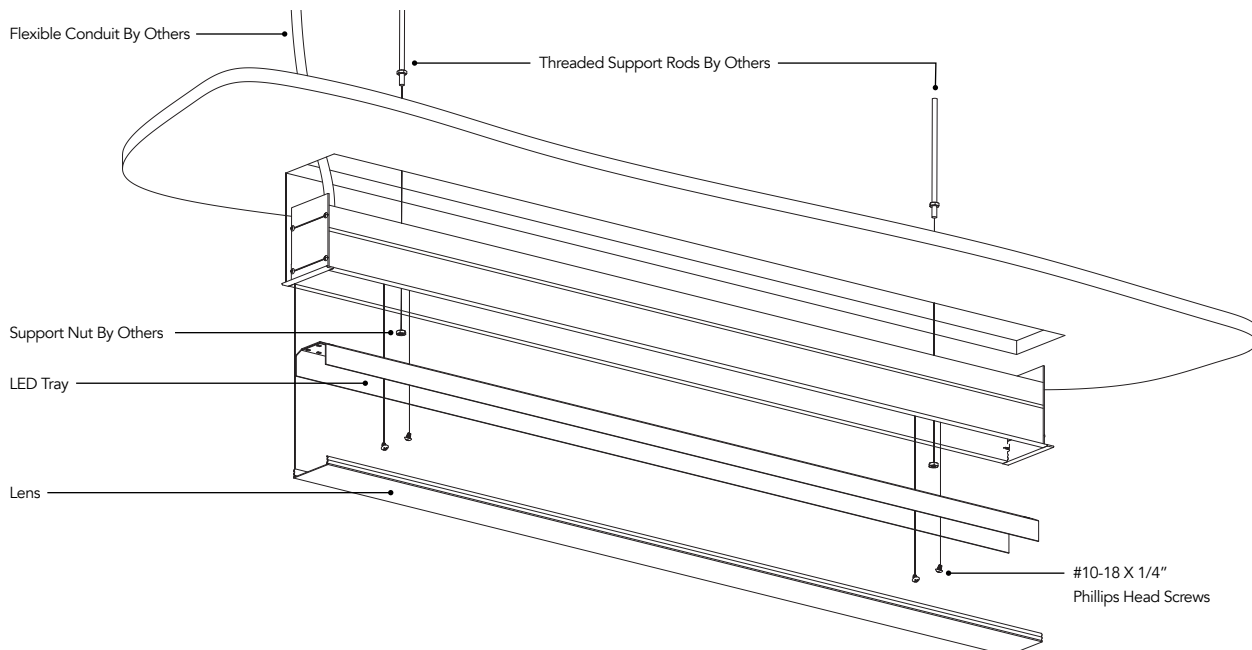
Step Two:

Attach supports to fixture through holes provided and to structure above as shown (FIG. 1). Confirm that fixture is pulled up firm to ceiling line.

Step Three:

Wire to leads provided in wiring compartment. Supply connection & splice inspection to be made by removing the lens and LED tray. Replace LED tray and lens when complete.

FIGURE 1



RECESSED LUMINAIRE INSTALLATION INSTRUCTIONS

ROW MOUNTING

CONTINUOUS ROW LUMINAIRE INSTALLATION "OFF GRID" HARD CEILINGS

CAUTION:

Attempt to assemble fixture rows on ground and lifting row into position may create stress at connection points and may result in damage and/or mechanical failure. It is best to perform the following tasks on a protective, elevated, stable surface to ease assembly and protect the fixtures. (Please also note this is to be done before attempting to mount the fixture run).

Overlapping Flange (OF):

Linear luminaires intended for "Sheet Rock" are to be installed with threaded rod to structure above "by others". Product and should be install in accordance with these instructions.

Step One:

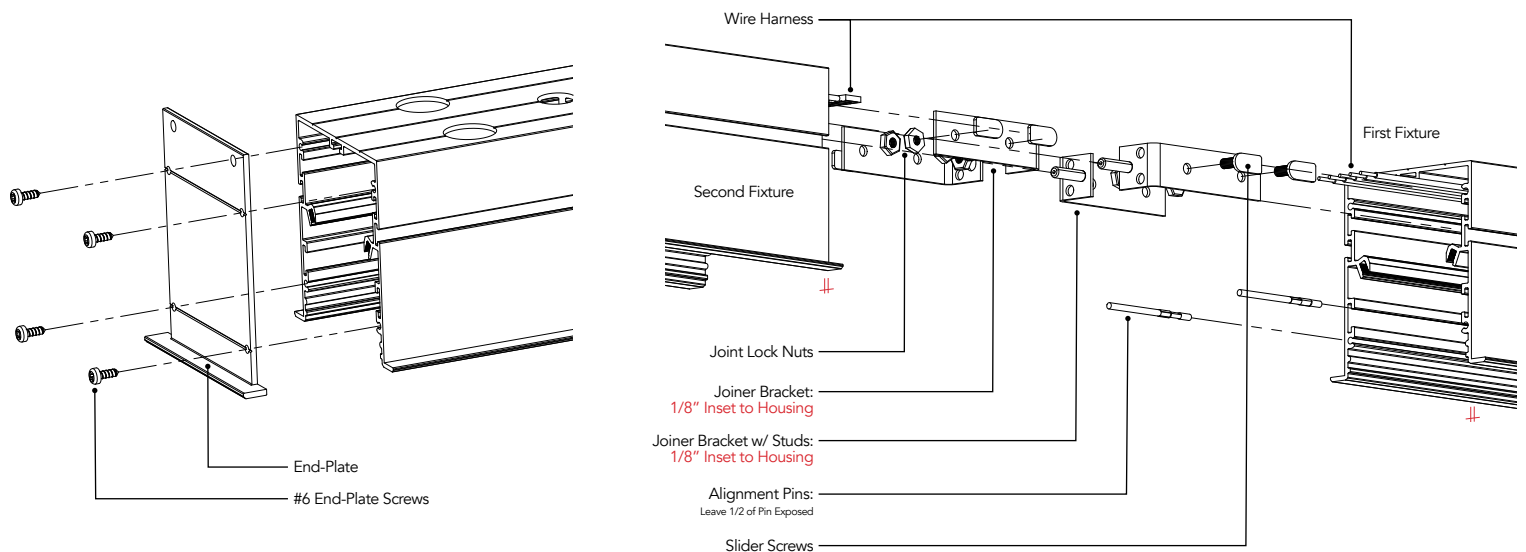
Ceiling contractor must provide a uninterrupted continuous rough opening maintaining straightness and width. Length and width as required. Fixtures should be secured to structure above to support weight of fixture run. Consult factory for fixture weights if needed.

Step Two:

Remove lens and LED tray and safely store aside. Locate and install Joiner/Endplate Kits. (FIG. 2) See packing list for quantities per run. Install Joint Brackets and End Plates following the written instructions and as illustrated below. Starting with the Right-Hand End of Row, insert (4) slide screws into rails on inside of fixture. Please note that the End Plate only has (4) holes for the #6 end plate mounting screws while the joiner kit has (2) brackets with studs and (2) without. Locate and install the bracket with the studs from the joiner kit at the Left-Hand end, opposite the end plate of the "RH End of Row Fixture". Insert brackets and locate 1/8" in from outside edge fixture. Slide brackets, screws and nuts into position and tighten securely. (please note these are what hold the fixtures together once installed). At fixture joint and using care as not to bend alignment pins, tap into appropriate track with 1/2" to 3/4" extending out from first fixture LH end. Install End plate with (4) #6 screws from end plate kit RH end of fixture.

Repeat this process for the balance of the fixtures in the run as needed. Complete each fixture in the run to assure the run can be assembled from right to left as intended.

FIGURE 2



RECESSED LUMINAIRE INSTALLATION INSTRUCTIONS

ROW MOUNTING

CONTINUOUS ROW LUMINAIRE INSTALLATION "OFF GRID" HARD CEILINGS

CAUTION:

Attempt to assemble fixture rows on ground and lifting row into position may create stress at connection points and may result in damage and/or mechanical failure. It is best to perform the following tasks on a protective, elevated, stable surface to ease assembly and protect the fixtures. (Please also note this is to be done before attempting to mount the fixture run).

Step Three:

After determining and locating the suspension points as shown at the end of this document "Row Information" and following the mounting instructions provided, attach the first fixture "RH End of Row Fixture" in the row. Mounting hardware by others.

Position second fixture in row (JOINER/INTERMEDIATE) such that it aligns with joint end of first fixture, support to structure above and connect to joiner/intermediate fixture as illustrated. Plug wire harness(s) together and push excess wire into luminaire wiring chamber. (FIG. 3)

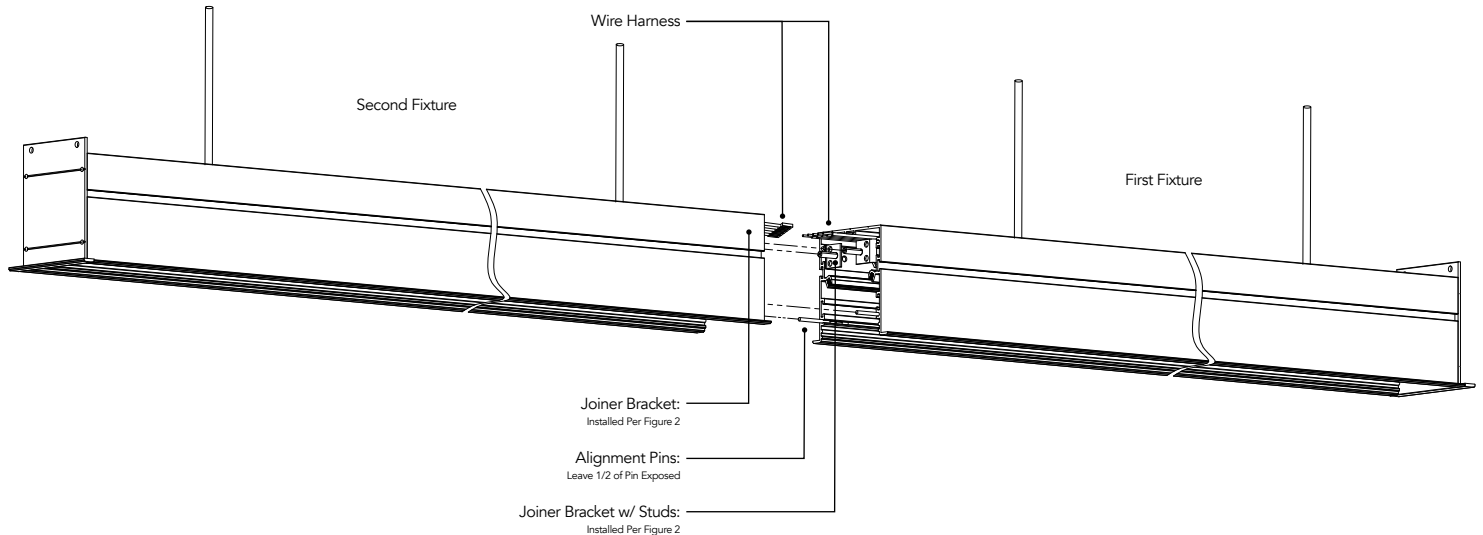
Step Four:

Push luminaires tightly together while making sure the alignment tabs slide into the interior tracks of each luminaire and span the luminaire joint. Secure joint with hardware provided. Confirm fixtures are secured to structure above as noted.

Step Five:

Continue to install and assemble row following steps 2 and 3. Using one of the 7/8" dia. holes on the Ender (LH EOR) fixture (FIG.1), install conduit connector and wire to leads provided in wiring compartment. Install fixture into position. Replace LED trays and lens.

FIGURE 3



RECESSED LUMINAIRE INSTALLATION INSTRUCTIONS

INDIVIDUAL MOUNTING

INDIVIDUAL LUMINAIRE INSTALLATION "ON GRID" CEILINGS

CAUTION:

Ceiling contractor must provide an uninterrupted continuous opening utilizing main tee's spaced 4" center to center. Length as required. Main tee's should be secured to structure above to support weight of fixture. Consult factory for fixture weights if needed.

Step One:

Remove lens and LED tray and safely store aside (supply connection & splice inspection inside fixture cavity). Install fixture into ceiling grid from above following instructions illustrated below, shop drawings or order processing specification sheet. (FIG.4)

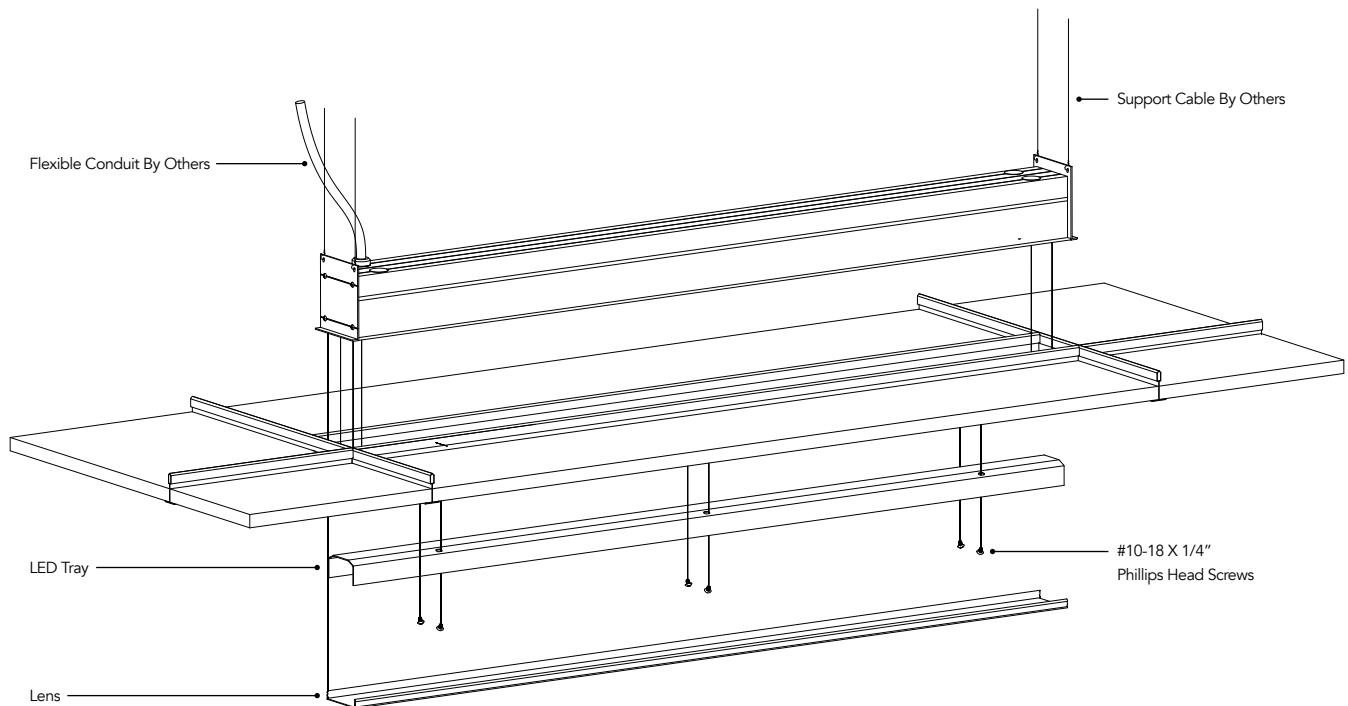
Step Two:

Attach safety wires to fixture and structure above as shown in (FIG.4).

Step Three:

Using one of the 7/8" diameter holes on the end of the fixture, install conduit connector and wire to leads provided in wiring compartment. Supply connection and splice inspection to be made by removing lens and LED tray. Replace LED tray and lens when complete.

FIGURE 4



RECESSED LUMINAIRE INSTALLATION INSTRUCTIONS

ROW MOUNTING

CONTINUOUS ROW LUMINAIRE INSTALLATION "ON GRID" CEILINGS

CAUTION:

Attempt to assemble fixture rows on ground and lifting row into position may create stress at connection points and may result in damage and/or mechanical failure. It is best to perform the following tasks on a protective, elevated, stable surface to ease assembly and protect the fixtures. (Please also note this is to be done before attempting to mount the fixture run).

Step One:

Ceiling contractor must provide a uninterrupted continuous rough opening maintaining straightness and width. Length and width as required. Fixtures should be secured to structure above to support weight of fixture run. Consult factory for fixture weights if needed.

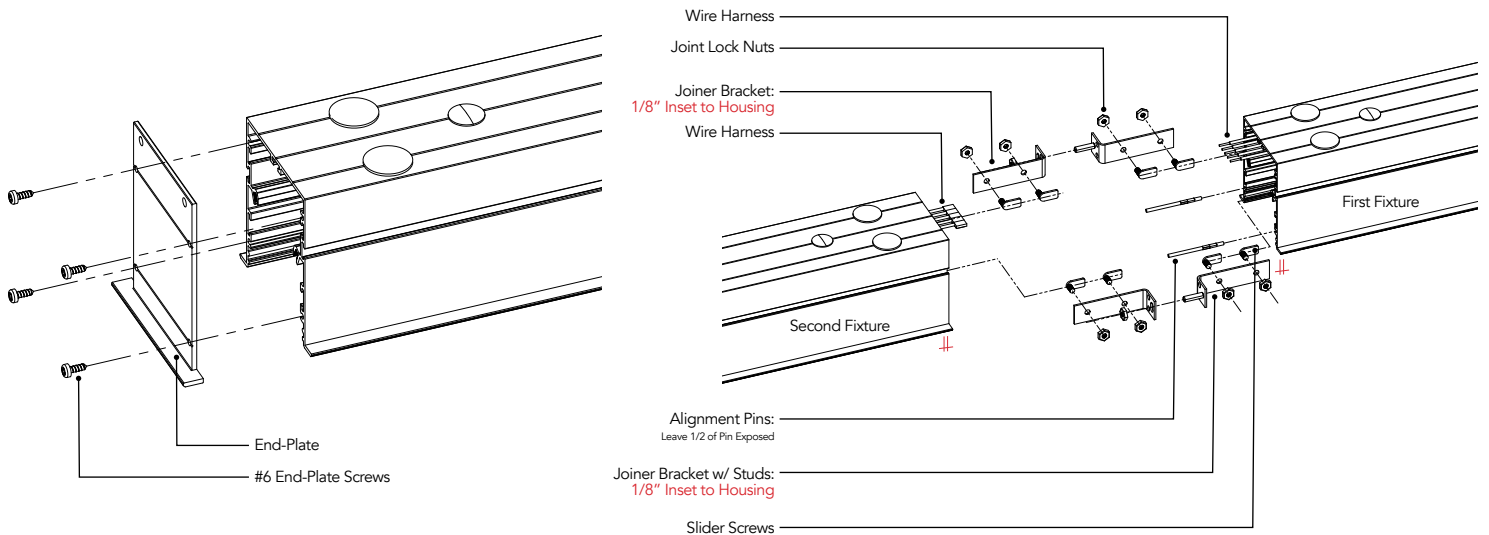
Step Two:

Remove lens and LED tray and safely store aside. Locate and install Joiner/End Trim Kits. (FIG. 5) See packing list for quantities per run.

Install Joint Brackets and End Trims following the written instructions and as illustrated below. Starting with the Right-Hand End of Row, insert (4) slide screws into rails on outside of fixture. Please note that the End Plate only has (4) holes for the #6 end plate mounting screws while the joiner kit has (2) brackets with studs and (2) without. Locate and install the bracket with the studs from the joiner kit at the Left-Hand end, opposite the end plate of the "RH End of Row Fixture". Insert brackets and locate 1/8" in from outside edge fixture. Slide brackets, screws and nuts into position and tighten securely. (Please note these are what hold the fixtures together once installed). At fixture joint and using care as not to bend alignment pins, tap into appropriate track with 1/2" to 3/4" extending out from first fixture LH end. Install End trim with (4) #6 screws from end plate kit.

Repeat this process for the balance of the fixtures in the run as needed. Complete each fixture in the run to assure the run can be assembled from right to left as intended.

FIGURE 5



RECESSED LUMINAIRE INSTALLATION INSTRUCTIONS

ROW MOUNTING

CONTINUOUS ROW LUMINAIRE INSTALLATION "ON GRID" CEILINGS

CAUTION:

Attempt to assemble fixture rows on ground and lifting row into position may create stress at connection points and may result in damage and/or mechanical failure. It is best to perform the following tasks on a protective, elevated, stable surface to ease assembly and protect the fixtures. (Please also note this is to be done before attempting to mount the fixture run).

Step Three:

After locating the suspension grid requirements as shown at the end of this document "Row Information" and following the mounting instructions provided, lay the first fixture "RH End of Row Fixture" in the row.

Position second fixture in row (JOINER/INTERMEDIATE) such that it aligns with joint end of first fixture and connect to joiner/intermediate fixture as illustrated. Plug wire harness(s) together and push excess wire into luminaire wiring chamber. (FIG. 6)

Step Four:

Push luminaires tightly together while making sure the alignment pins slide into the interior tracks of each luminaire and span the luminaire joint. Secure joint with hardware provided. Attach safety wires to fixture and structure above as shown in (FIG.6).

Step Five:

Continue to install and assemble row following steps 2 and 3. Using one of the 7/8" dia. holes on the Ender (LH EOR) fixture, install conduit connector and wire to leads provided in wiring compartment. Replace LED trays and lens.

FIGURE 6

