



CEILING LUMINAIRE INSTALLATION INSTRUCTIONS

GENERAL INSTALLATION

WARNING

To Reduce Risk Of Death, Injury Or Property Damage From Fire, Electric Shock And Other Hazards:

Service of equipment must be performed by qualified personnel.

Installation and maintenance must be performed by qualified personnel familiar with the construction and operation of this product and any hazards involved. All applicable local and national codes and ordinances must be followed.

Read this document before installing, servicing or maintaining this equipment. These instructions do not cover all installation, service and maintenance situations. If your situation is not covered, or, if you do not understand these instructions or need additional information, contact American Linear Lighting or your local American Linear Lighting distributor.

WARNING

Before Installing, Servicing Or Maintaining This Equipment, Follow These General Precautions To Reduce The Risk Of Electrocutation:

Make sure the equipment is properly grounded.

Always de-energize the circuit and/or equipment before connecting to, disconnecting from or servicing the equipment.

To Prevent Luminaire Row From Over-Current:

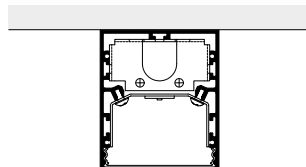
By adding the input current of each luminaire section marked on the luminaire, the total current per power feed must not exceed the maximum line wire amperage rating in the luminaire and the power feed cord/wire amperage rating whichever is least.

CAUTION

It Is The Installers Responsibility To Ensure That Wall, Ceiling Or Junction Box Is Structurally Capable Of Supporting The Weight Of Luminaire/Luminaire Row.

SECTION 1: FIXTURE MOUNTING

Pages 2 - 6



DIRECT
3C
5C

SAVE THESE INSTALLATION INSTRUCTIONS

CEILING LUMINAIRE INSTALLATION INSTRUCTIONS

INDIVIDUAL MOUNTING

INDIVIDUAL LUMINAIRE INSTALLATION

CAUTION:

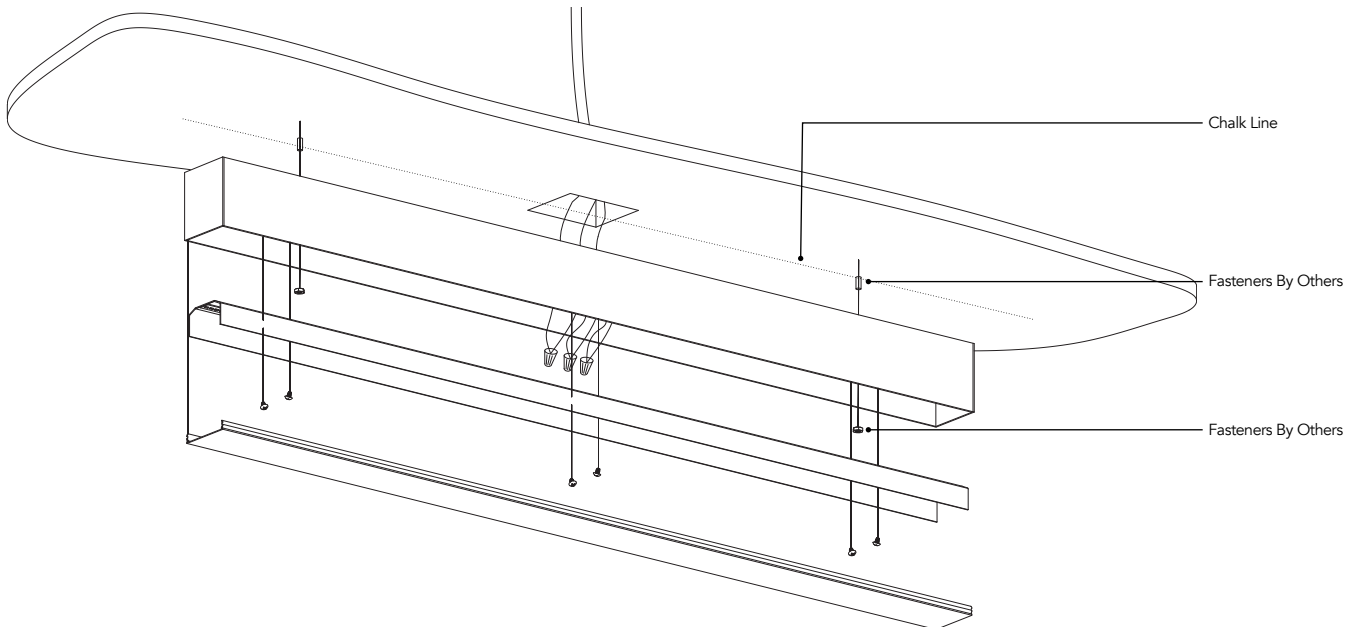
Ceiling Surface Mounting:

Linear luminaires intended for "Ceiling Surface Mounting" are to be installed with appropriate anchors "by others". Product should be installed in accordance with these instructions.

Step One:

Remove lens and LED/Reflector tray and store safely aside. Use the fixture as a template to locate the mounting holes by centering fixture over recessed switch box, keeping box square to and on center lengthwise, mark appropriate quantity of mounting holes. (FIG. 1) Mounting location(s) are specified in this document. Insure that all mounting points are on the same center line as the switch box installed. Please consult factory or your Lumato representative if you are not in possession of factory shop drawing. Drill appropriate holes for mounting surface and fasteners to be used. Securely attach housing to ceiling.

FIGURE 1



Step Two:

Make wire connection as required to meet intended function. Reassemble LED/Reflector tray in reverse fashion and insure that there are no wires bound by the reflector as this will cause lens to not fit correctly. Reinstall lens.

CEILING LUMINAIRE INSTALLATION INSTRUCTIONS

ROW MOUNTING

CONTINUOUS ROW LUMINAIRE INSTALLATION

CAUTION:

Attempt to assemble fixture rows on ground and lifting row into position may create stress at connection points and may result in damage and/or mechanical failure. It is best to perform the following tasks on a protective, elevated, stable surface to ease assembly and protect the fixtures. (Please also note this is to be done before attempting to mount the fixture run).

Ceiling Surface Mounting:

Linear luminaires intended for "Ceiling Surface Mounting" are to be installed with appropriate anchors "by others". Product and should be install in accordance with these instructions.

Step One:

From center line of lengthwise mounted switch box(es), snap a lengthwise chalk line on ceiling to the right of J-box approximately the full length of the row to be installed. Locate and install J-box to be centered on the left most fixture within the row.

Step Two:

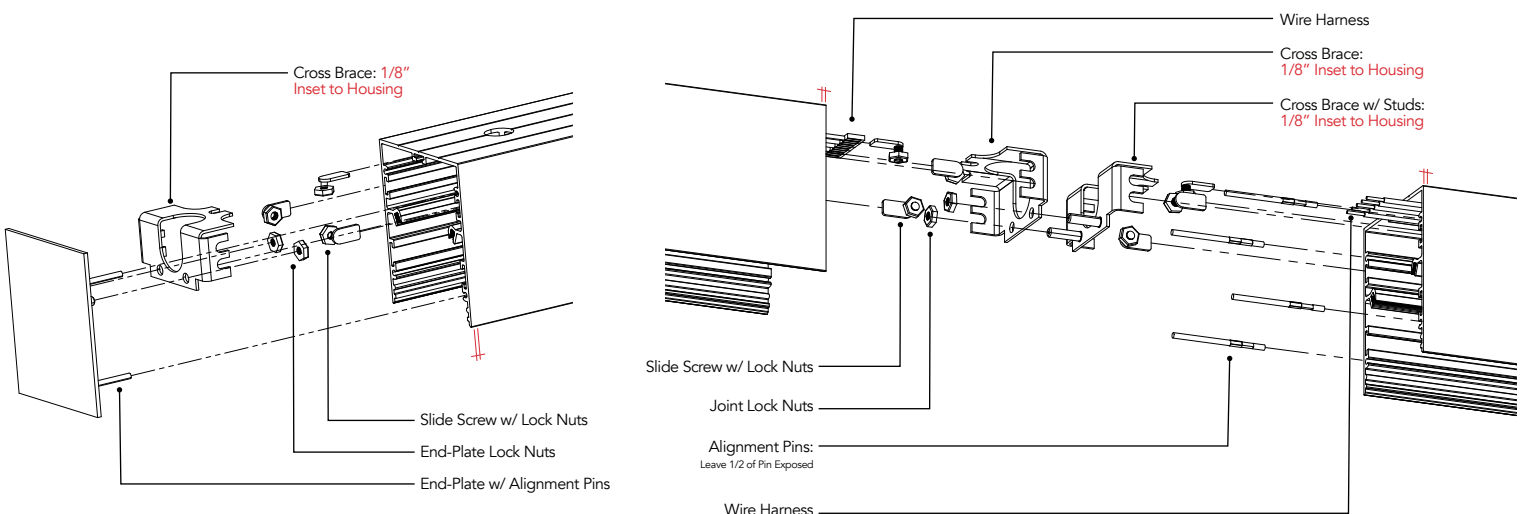
After removing from each luminaire the lens and LED/Reflector tray as instructed on previous page, it is best to perform the following tasks on a protective, elevated, stable surface to ease assembly and protect the fixtures (Please also note this is to be done before attempting to mount the fixture run) (FIG. 3).

Locate and install Joiner/Endplate Kits. (FIG. 2) See packing list for quantities per run.

Install Joiner Brackets/cross braces and End Plates following the written instructions and as illustrated below. Starting with the Right-Hand End of Row, assemble (6) nuts to (6) slide screws and insert into rails. (3) each end. Please note that the End Plate cross brace has only holes for the end plate studs and nuts while the joiner kit has (1) with studs and (1) without. Locate and install the cross brace with studs from the joiner kit at the Left-Hand end, opposite the end plate of the "RH End of Row Fixture". Insert cross braces and locate 1/8" in from outside edge fixture. Starting with center nut and stud, slide screws and nuts into position in the slots on the cross brace and tighten securely (please note these are what hold the fixtures together once installed). At fixture joint and using care as not to bend alignment pins, tap into appropriate track with 1/2" to 3/4" extending out from fixture end. Install End plate with (2) nuts from end plate kit.

Repeat this process for the balance of the fixtures in the run as needed. Complete each fixture in the run to assure the run can be assembled from right to left as intended.

FIGURE 2

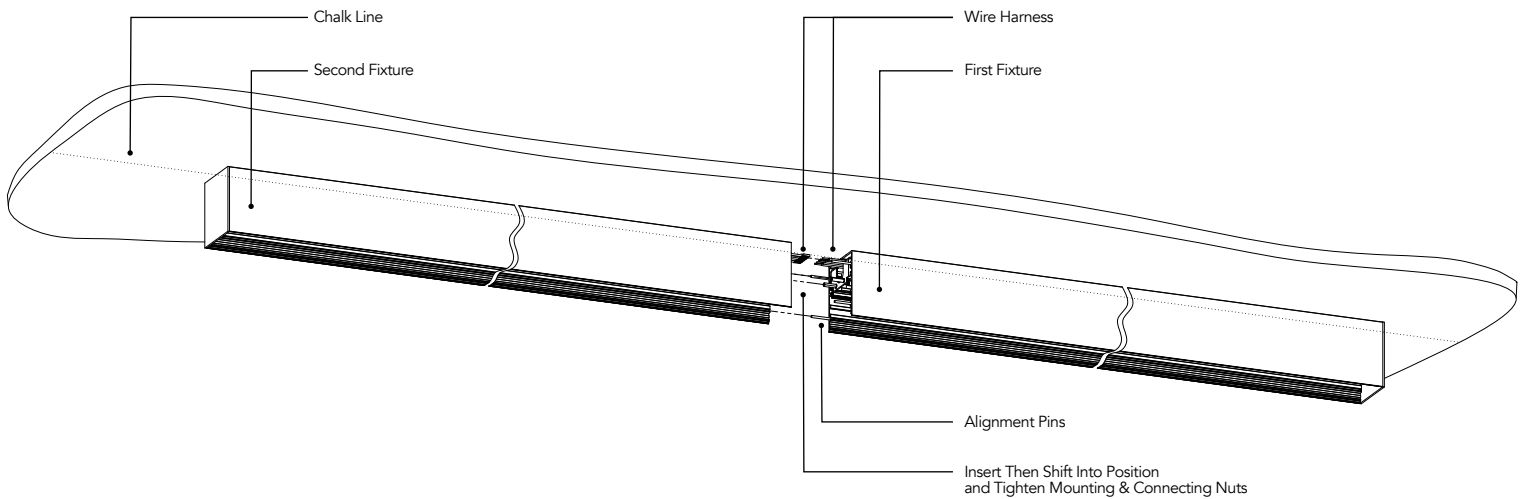


CEILING LUMINAIRE INSTALLATION INSTRUCTIONS

ROW MOUNTING

CONTINUOUS ROW LUMINAIRE INSTALLATION CONT.

FIGURE 3



Step Three:

After determining and locating the suspension locations as shown at the end of this document "Row Information" and following the mounting instructions provided, attach the first fixture "RH End of Row Fixture" in first fixture position in the row as shown. Tighten mounting screws on luminaire snug as to not allow luminaires to move when being aligned with next luminaire in row at this time. (FIG. 3)

Step Four:

Position second fixture in row (JOINER/INTERMEDIATE-ENDER) such that it aligns with joint end of first fixture as illustrated. (FIG.3)

Step Five:

Plug luminaire wire harness together and push excess wire back into wire-way. Push luminaires tightly together while making sure the alignment pins slide into the interior tracks of each luminaire and span the luminaire joint. (FIG. 3)

Step Six:

Continue to install and assemble row referencing steps 3 and 4.

Step Seven:

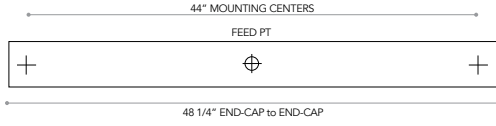
Once all luminaires in row are installed, tighten mounting screws on all fixtures enough to hold luminaires snug to mounting surface. Make wire connection as required to meet intended function. Reassemble LED/Reflector tray in reverse fashion and insure that there are no wires bound by the reflector as this will cause lens to not fit correctly. Reinstall lens.

CEILING LUMINAIRE INSTALLATION INSTRUCTIONS

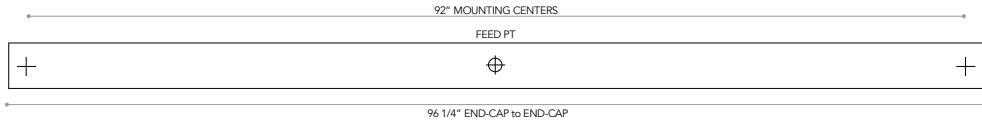
INDIVIDUAL AND ROW MOUNTING

FIXTURE ROW LAYOUT: SINGLE UNIT 4' - 8' - 12'

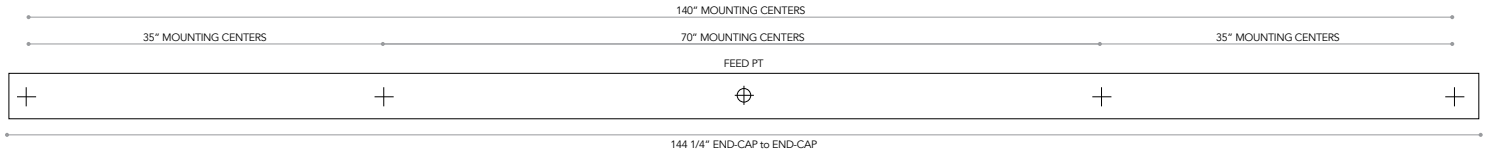
4' FIXTURE



8' FIXTURE

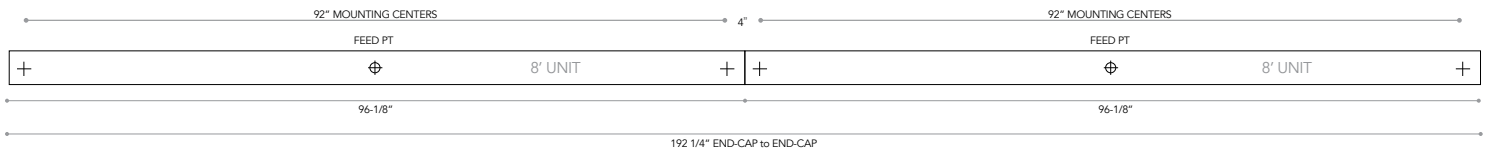


12' FIXTURE



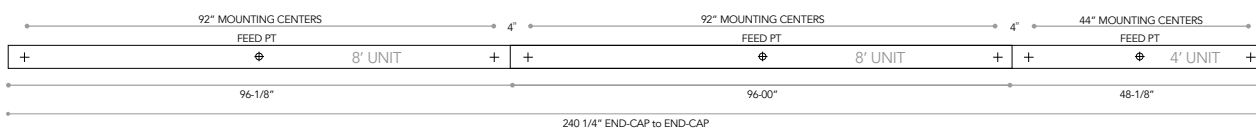
FIXTURE ROW LAYOUT: TWO UNITS 16'

16' FIXTURE

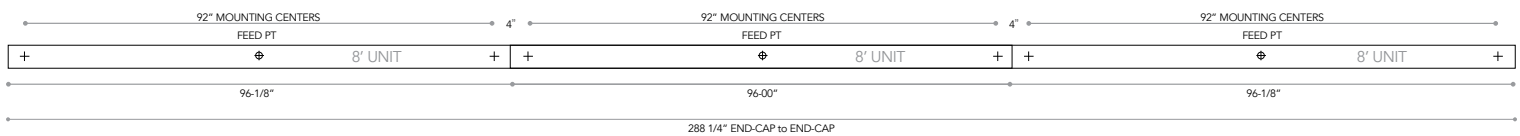


FIXTURE ROW LAYOUT: THREE UNITS 20' - 24'

20' FIXTURE



24' FIXTURE



CEILING LUMINAIRE INSTALLATION INSTRUCTIONS

INDIVIDUAL AND ROW MOUNTING

FIXTURE ROW COMPONENTS

ROW LENGTH	4' - UNIT	8' - UNIT	12' - UNIT	JOIN KITS	END-CAP TO END-CAP
4'	1	-	-	-	48-1/4"
8'	-	1	-	-	96-1/4"
12'	-	-	1	-	144-1/4"
16'	-	2	-	1	192-1/4"
20'	1	2	-	2	240-1/4"
24'	-	3	-	2	288-1/4"
28'	1	3	-	3	336-1/4"
32'	-	4	-	3	384-1/4"
36'	1	4	-	4	432-1/4"
40'	-	5	-	4	480-1/4"
44'	1	5	-	5	528-1/4"
48'	-	6	-	5	576-1/4"
52'	1	6	-	6	624-1/4"
56'	-	7	-	6	672-1/4"
60'	1	7	-	7	720-1/4"
64'	-	8	-	7	768-1/4"
68'	1	8	-	8	816-1/4"
72'	-	9	-	8	864-1/4"

Note 1

Ceiling Mount Fixtures have Mounting Holes 2-1/8" from End-Cap

Note 2

Ceiling Mount Fixture Rows Consisting of Multiple Units (16'-72') have 4" O.C. Between Mounting Holes at Fixture Joints